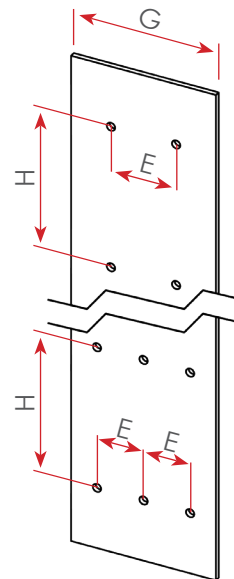
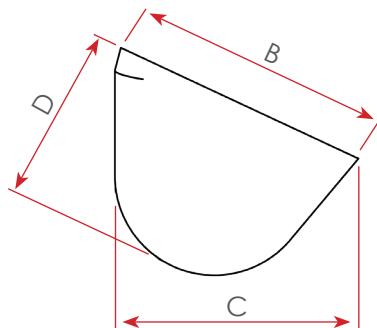
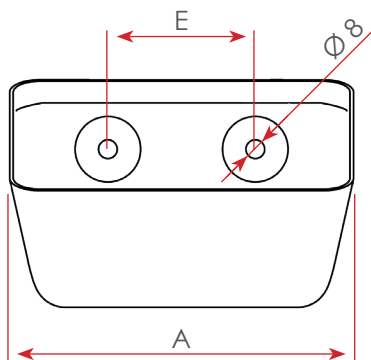


ELEVAATTORIEN KUPIT JA HIHNAT / ELEVATOR CUPS AND BELTS

Elevaattori	Kuppi / Cup	A [mm]	B [mm]	C [mm]	D [mm]	E [mm]
A68	AR2003	145	110	105	68	63
A92	AR3502	180	145	135	85	2 x 45
A118	AR5302	205	145	135	85	2 x 45
A43 (varaosat / spare parts)	AR3002	145	110	105	55	63
A168 (varaosat / spare parts)	AR3502	180	145	135	85	2 x 45

Elevaattori	Hihna / Belt	G [mm]	H [mm]	Kuppia / Cups [/ m]	RUUVIA / Screws [/ m]
A68	AR3001	140	143	7	14
A92	AR3501	170	167	6	18
A118	AR5301	170	167	6	18
A43 (varaosat / spare parts)	AR3001	140	167	6	12
A168 (varaosat / spare parts)	AR5301	350	167 (limitys / overlap)	12	36



A43 / A68

A92 / A118 / A168